

2062

SINGLE POINT LOAD CELL "OFF CENTER"

- Capacity range 1 to 10 kg
- Maximum platform till 300 x 300 mm
- Off-Center
- Made of Aluminium alloy
- Protection IP 54
- Easy to install
- Output 2 mV/V
- Available in EEx ia IIC T4 / T6 certified version for use in hazardous area
- Complies with OIML/R60 up to 3000 d for scales in class III according to EN 45 501



Model 2062 – 1kg

The SENSY's load cell 2062 is perfectly designed to the following applications :

- Bench scales
- Retail and computing scales...
- Filling, packaging and batching applications

AVAILABLE CAPACITIES :

2062: 1 - 2 - 3 - 5 - (7.5) - 10 kg

TECHNICAL DATA							
Accuracy class		0.1 1000 d	C 1 1000 d OIML	0.05 2000 d	C 2 2000 d OIML	0.03 3000 d	C 3 3000 d OIML
Linearity error	% F.S.	< ± 0.1	< ± 0.03	< ± 0.05	< ± 0.025	< ± 0.025	< ± 0.020
Hysteresis error	% F.S.	< ± 0.1	< ± 0.03	< ± 0.05	< ± 0.025	< ± 0.025	< ± 0.020
Non - repeatability	% F.S.	< ± 0.03	< ± 0.02	< ± 0.02	< ± 0.01	< ± 0.015	< ± 0.01
Creep error over 30 min.	% F.S.	< ± 0.06	< ± 0.04	< ± 0.04	< ± 0.03	< ± 0.025	< ± 0.020
Zero shift after loading	% F.S.	< ± 0.015	< ± 0.01	< ± 0.01	< ± 0.0075	< ± 0.0075	< ± 0.005
Reference temperature	°C	23					
Nominal temperature range	°C	- 10...+ 45					
Service temperature range	°C	- 30...+ 70					
Storage temperature range	°C	- 50...+ 85					
Temperature coefficient of the sensitivity	% /10°C	< ± 0.05	< ± 0.02	< ± 0.035	< ± 0.015	< ± 0.015	< ± 0.009
Temperature coefficient of zero signal	% F.S./10°C	< ± 0.035	< ± 0.03	< ± 0.03	< ± 0.02	< ± 0.023	< ± 0.013
Nominal sensitivity	mV/V	±2					
Zero balance	mV/V	± 0.02					
Sensitivity tolerance (g=9,8107 m/s ²)	%	< ± 0.3		< ± 0.1			
Input / Output resistance	Ohm	351 ± 2					
Insulation resistance (50V)	MOhm	> 5000					
Nominal excitation voltage	V	5 to 10					
Nominal range of the excitation voltage	V	2...15					
Safe load limit	% F.S.	150					
Breaking load	% F.S.	> 300					
Static lateral force limit	% F.S.	100					
Permissible dynamic loading	% F.S.	60					

F.S.: full scale Specifications subject to change without notice

LOAD CELL

model 2062 aluminium alloy



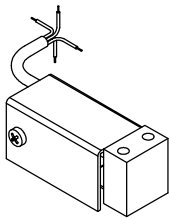
OFF-CENTER

Range 1 - 10 kg IP54

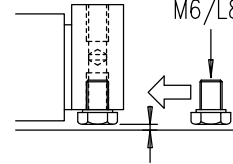
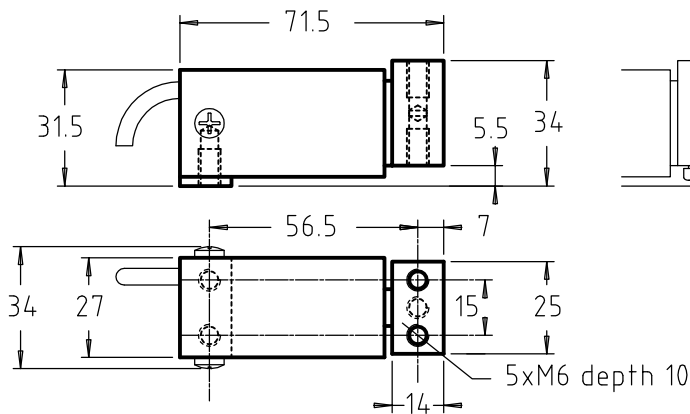
Cable length : 2 m



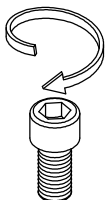
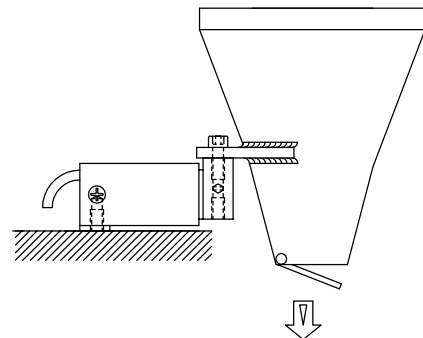
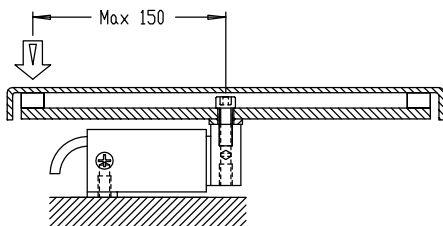
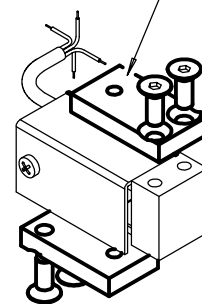
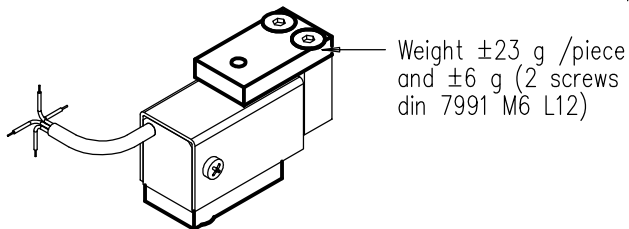
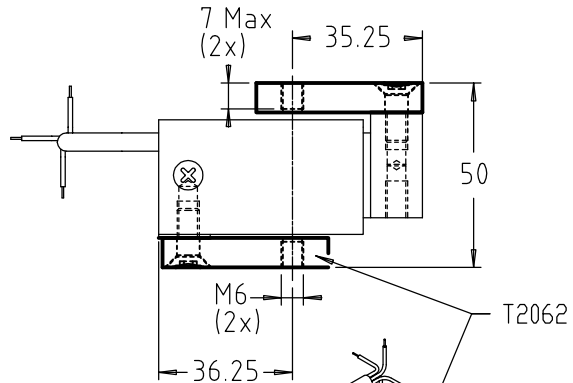
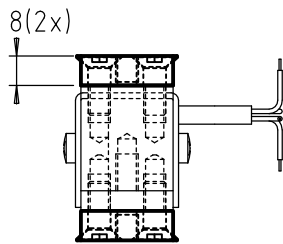
DIN 933
or
DIN 931-ISO 4014
M6/L8



Weight: 0.08kg
Max.deflexion 0.40 mm



OVERLOAD PROTECTION



Note: Correct torque for fixing bolts : 1.2 Kgm (M6)
Fastener quality 10.9 or 12.9
(don't touch bottom of tapped holes)