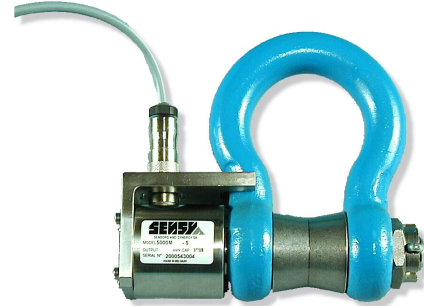


# 5000M

# DYNAMOMETRIC SHACKLE

- Double shear beam load cell
- Sturdy design
- Stainless steel
- Easy to install
- Waterproof IP 65 (IP 67 available)
- A complete range of electronics load limiters and displays are also offered "CE" certified
- Available in Eex ia IIC T4/T6 certified version for use in hazardous area
- Available with integrated amplifier 4-20 mA or 1-5 VDC



Model 5000M

The SENSY's load pin 5000B is perfectly designed to the following applications :

- Hoisting and crane's security in combination with a load limiter

### AVAILABLE CAPACITIES :

**5000M : From 1 to 100 tons (Higher capacities on request)**

TECHNICAL DATA		
Accuracy class		SL
Combined error	% F.S.	1
Non - repeatability	% F.S.	< ± 0.25
Creep error over 30 min.	% F.S.	< ± 0.2
Zero shift after loading	% F.S.	< ± 0,05
Reference temperature	°C	23
Nominal temperature range	°C	- 10...+ 45
Service temperature range	°C	- 30...+ 70
Storage temperature range	°C	- 50...+ 85
Temperature coefficient of the sensitivity	% /10°C	< ± 0.1
Temperature coefficient of zero signal	% F.S./10°C	< ± 0.1
Nominal sensitivity	mV/V	± 1
Zero balance	mV/V	± 0.02
Sensitivity tolerance (g=9,8107 m/s <sup>2</sup> )	%	< ± 0.5
Input / Output resistance	Ohm	350 ± 20
Insulation resistance (50V)	MOhm	> 5000
Nominal excitation voltage	V	5 to 10
Nominal excitation voltage	V	2...15
Safe load limit	% F.S.	200
Breaking load	% F.S.	> 200...500
Static lateral force limit	% F.S.	> 300
Permissible dynamic loading	% F.S.	70

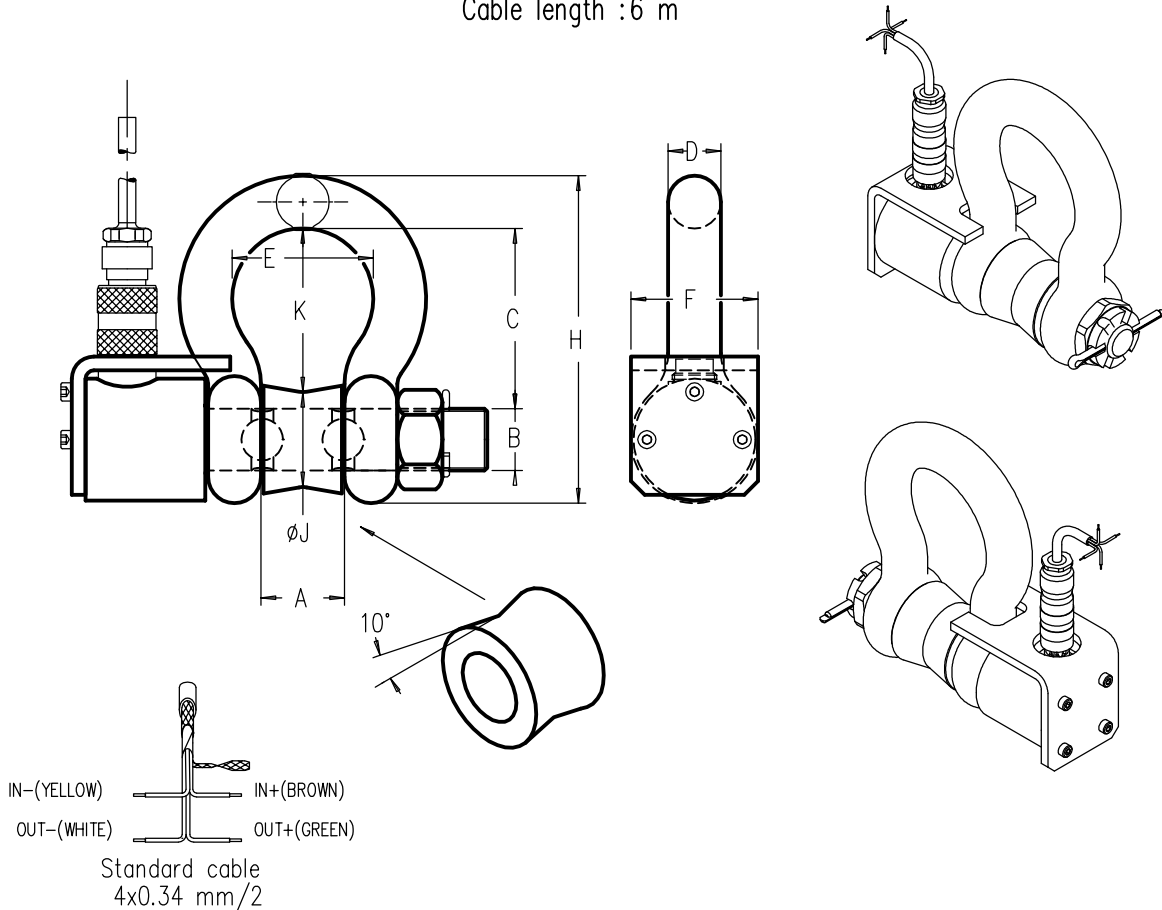
F.S.: full scale Specifications subject to change without notice

# LOAD MEASURING SHAKLES model 5000M

## AXLE IN STAINLESS STEEL

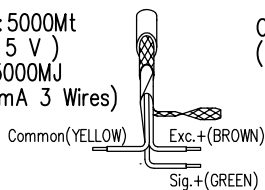
Range 1 – 100t ±1mV/V IP65

Cable length :6 m



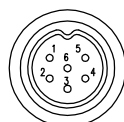
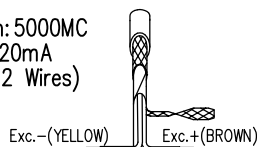
SIZE	CAPACITIES	A	B	C	D	E	F	H	øJ	K	TOLERANCES ±		Total Weight(kg)
											C & K	A	
3/4"	1 – 1.5t.	31	22	75	19	51	46	126	34	65	6.5	1.6	3
7/8"	2.5t.	36	25	84	22	58	53	148	35.5	79			3.5
1"	4 t.	43	28	95	25	68	60.5	167	37	90			4
1 1/8"	5 t.	46	32	108	28	74	68.5	190	40	104			5
1 3/8"	6.3 t.	57	38	133	35	92	85	233	50	127	3.5	6.5	8.5
1 1/2"	8 t.	60	42	146	38	99	92	254	54	140			12
1 3/4"	12 t.	73	50	178	45	127	106	313	65	171			19
2"	20 t.	83	57	197	50	138	122	348	72	189	6.5	6.5	28
2 1/2"	30 t.	105	70	264	65	180	145	453	90	250			52
3"	45 t.	127	80	330	75	190	165	546	105	319	6.5	6.5	96
3 1/2"	75 t.	140	95	380	90	230	203	626	117	365			150
4"	100 t.	140	108	368	104	254	229	653	130	357	6.5	6.5	207

Option: 5000Mt  
(1 – 5 V)  
or 5000MJ  
(4–20mA 3 Wires)



Cable screen connected to transducer for option t,C,J

Option: 5000MC  
(4.5–20mA  
2 Wires)



### FEMALE-MALE CONNECTOR DIN 45322

#### CONTACT N°

- 1 Excitation - Yellow
- 2 Output + Green
- 3 Output - White
- 4 Excitation + Brown
- 5 Sense - Grey
- 6 Sense + Pink

Standard cable

Cable screen not connected to transducer  
Option f : Cable screen connected to transducer  
(6 wires cable in option)

Rev.10/01/2003