

5000

## CUSTOM MADE LOAD PIN

- Double shear beam axle
- Sturdy design
- Stainless steel
- Easy to install
- Protection IP 65 (IP 67 available)
- Available in "custom-made" design
- A complete range of electronics, load limiters and displays are also offered "CE" certified
- "EEx" ia II C T4/T6 version available
- Available up to 1.000 tons
- Available with integrated amplifier 4-20 mA or 1-5VDC



Model 5000 – 3 t

The SENSY's load pin 5000 is perfectly designed to the following applications :

- Cranes pulley equipment
- Hoisting and crane's security in combination with a load limiter
- Equipment of shackles, wedge sockets and hydraulic jacks...
- Force measurement on cylinders and others applications

### AVAILABLE CAPACITIES :

**5000 : From 1 ton to 1000 tons (Higher capacities on request)**

TECHNICAL DATA		
Accuracy class		SL
Combined error	% F.S.	1
Non - repeatability	% F.S.	< ± 0.25
Creep error over 30 min.	% F.S.	< ± 0.2
Zero shift after loading	% F.S.	< ± 0,05
Reference temperature	°C	23
Nominal temperature range	°C	- 10...+ 45
Service temperature range	°C	- 30...+ 70
Storage temperature range	°C	- 50...+ 85
Temperature coefficient of the sensitivity	% /10°C	< ± 0.1
Temperature coefficient of zero signal	% F.S./10°C	< ± 0.1
Nominal sensitivity	mV/V	± 1
Zero balance	mV/V	± 0.02
Sensitivity tolerance (g=9,8107 m/s <sup>2</sup> )	%	< ± 0.5
Input / Output resistance	Ohm	350 ± 20
Insulation resistance (50V)	MOhm	> 5000
Nominal excitation voltage	V	5 to 10
Nominal excitation voltage	V	2...15
Safe load limit	% F.S.	200
Breaking load	% F.S.	> 200...500
Static lateral force limit	% F.S.	> 300
Permissible dynamic loading	% F.S.	70

F.S.: full scale Specifications subject to change without notice

## LOAD CELLS

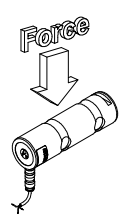
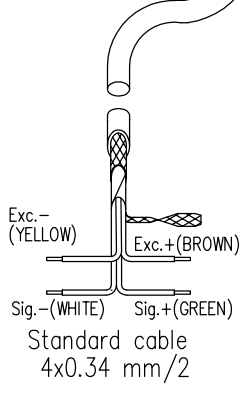
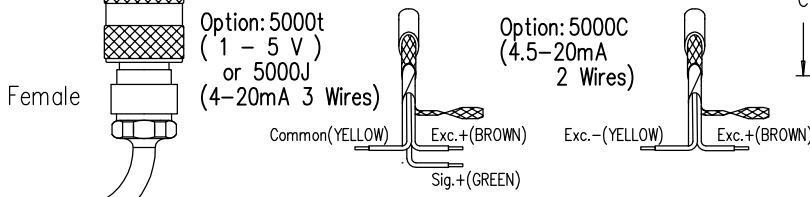
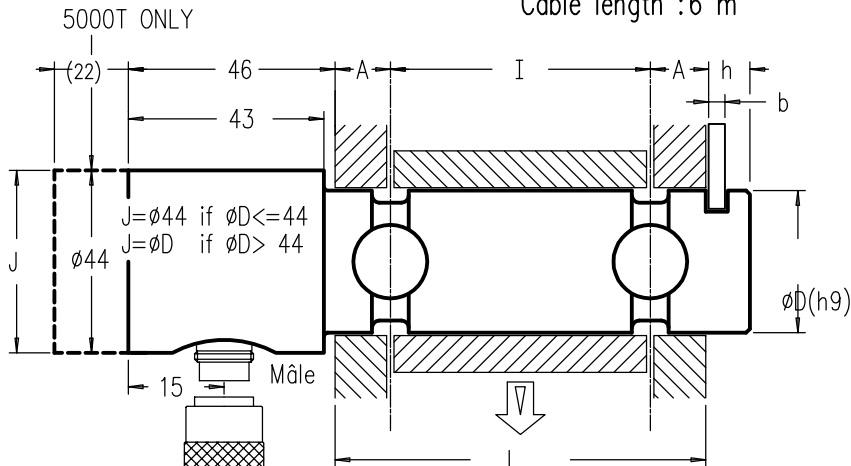
CE (Hoisting)

model 5000 stainless steel

Range 1-1000 t. IP65 (IP68 option)

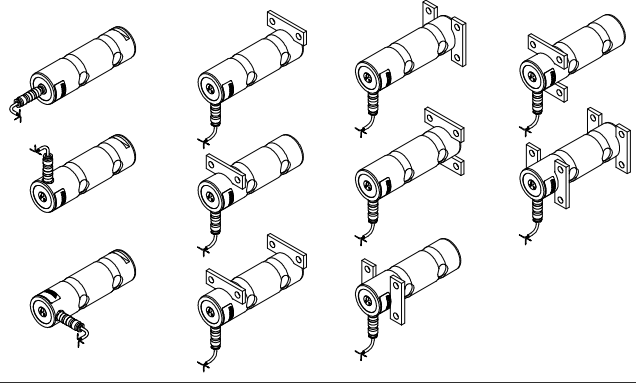
**DOUBLE SHEAR BEAM AXLE**

Cable length : 6 m

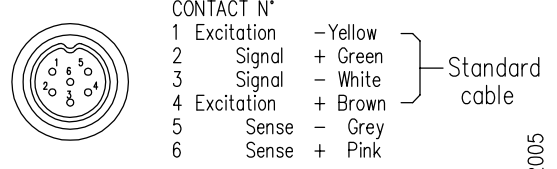


REFERENCE DIMENSIONS										DIMENSIONS STANDARD		
CAP.(t)	øD(h9)	A(min)	I(min)	a	b	c	ød	f	h	øD RANGE	a,b,c,ød,f,h	
0.5	20	7...10	20	25	6	50	11	18	12	18 - 25	Depending directly on the diameter according to DIN 15058	
1.5	30	12	25					22		20 - 35		
2	32		23					24 - 40				
3	36		24					28 - 45				
4	40		26					32 - 50				
6.3	44	30	35	30	8	70	13	30.5	16	38 - 55		Complete list with the different parameters available on request
8	49		32.5					45 - 60				
10	54		35					50 - 65				
16	59	14	40	36	100	17	20	36	55 - 79			
20	64		37.5					60 - 88				
30	70	15	50	40	10	100	17	45	25	65 - 99		
40	88	18	60					52		76 - 105		
63	98	70	56					90 - 130				
80	108	20	80	50	12	140	21	60	25	100-140		
100	120	40						70		118-150		
125	128	45	90	to customer design specifications				72.5		120-160		
140 - 1000 t										129-170		

Some configurations



FEMALE-MALE CONNECTOR DIN 45322



Cable screen not connected to transducer  
Option f : Cable screen connected to transducer (6 wires cable in option)

Cable screen connected to transducer for option t,C,J

Rev. 15/3/2005