

5062-5065

## TENSION / COMPRESSION LOAD CELLS (STANDARD REFERENCE FORCE TRANSDUCER)

- Standard reference load cells, especially manufactured to ISO 376 (EN10002/3) version ( Class "0,5" and "00" )
- Tension and compression
- Whole range of mounting accessories is proposed



Model 5065 – 10 kN

The SENSY's load cells 5062-5065 are perfectly designed to the following applications :

- Especially designed for official calibration purpose
- All kind of testing applications
- Industrial process control (ISO 9000...)
- Calibration of testing machines

### AVAILABLE CAPACITIES :

**5062 : 100 - (150) - 200 - 300 - 500 - (750) - 1000 - (1500) - 2000 - 3000 - 5000 N**

**5065 : (7.5) - 10 - 15 - 20 - 30 - 50 kN**

TECHNICAL DATA				
Accuracy class		0.05 2000 d	0.03 3000 d	0.02
Linearity error	% F.S.	< ± 0.05	< ± 0.025	< ± 0.015
Hysteresis error	% F.S.	< ± 0.05	< ± 0.025	< ± 0.015
Non - repeatability	% F.S.	< ± 0.02	< ± 0.015	< ± 0.01
Creep error over 30 min.	% F.S.	< ± 0.04	< ± 0.025	< ± 0.015
Zero shift after loading	% F.S.	< ± 0.01	< ± 0.0075	< ± 0.005
Reference temperature	°C	23	23	23
Nominal temperature range	°C	- 10...+ 45	- 10...+ 45	- 10...+ 45
Service temperature range	°C	- 30...+ 70	- 30...+ 70	- 30...+ 70
Storage temperature range	°C	- 50...+ 85	- 50...+ 85	- 50...+ 85
Temperature coefficient of the sensitivity	% /10°C	< ± 0.035	< ± 0.015	< ± 0.008
Temperature coefficient of zero signal	% F.S./10°C	< ± 0.03	< ± 0.023	< ± 0.013
Nominal sensitivity	mV/V	2	2	2
Zero balance	mV/V	± 0.02	± 0.02	± 0.02
Sensitivity tolerance (g=9,8107 m/s <sup>2</sup> )	%	< ± 0.3	< ± 0.1	< ± 0.05
Input / Output resistance	Ohm	351 ± 2	351 ± 2	351 ± 2
Insulation resistance (50V)	MOhm	> 5000	> 5000	> 5000
Nominal excitation voltage	V	5 to 10	5 to 10	10
Nominal range of the excitation voltage	V	2...15	2...15	2...15
Safe load limit	% F.S.	150	150	150
Breaking load	% F.S.	> 300	> 300	> 300
Static lateral force limit	% F.S.	25	25	25
Permissible dynamic loading	% F.S.	50	50	50

F.S.: full scale Specifications subject to change without notice

## LOAD CELL

model 5062 aluminium  
 model 5065 alloy steel

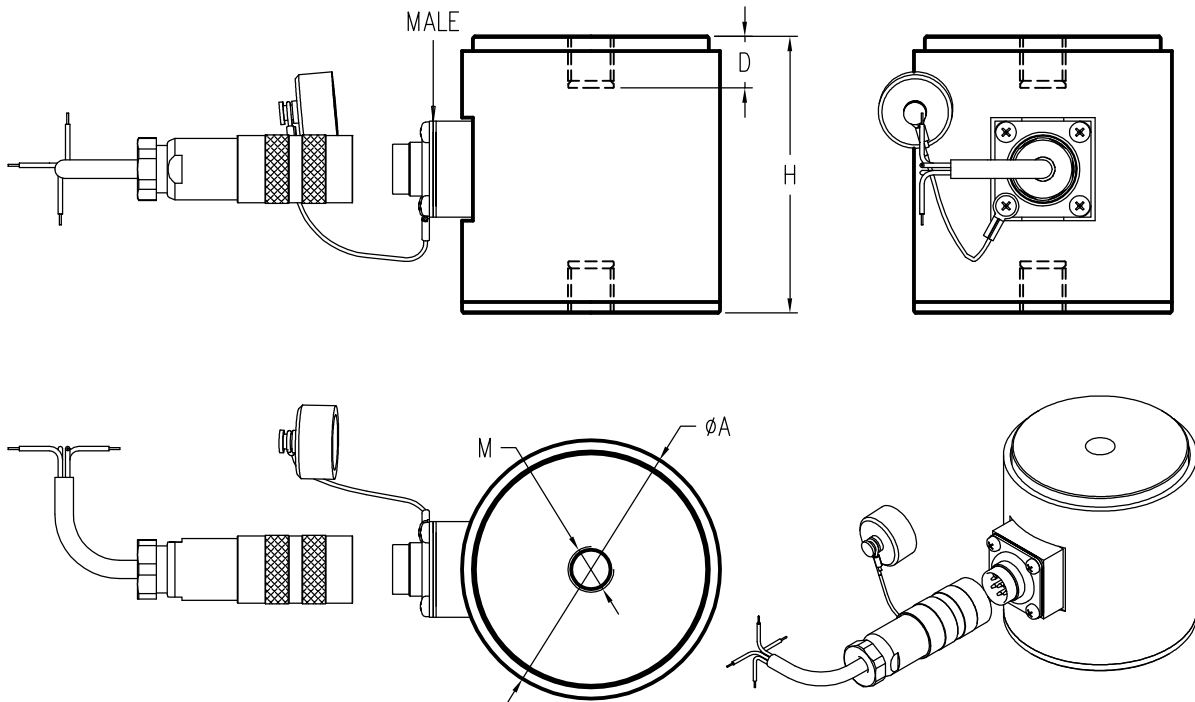


### TENSION-COMPRESSION

Range 100 N-50 kN IP54  
 (10 - 5000 kg)  
 Cable length : 3 m

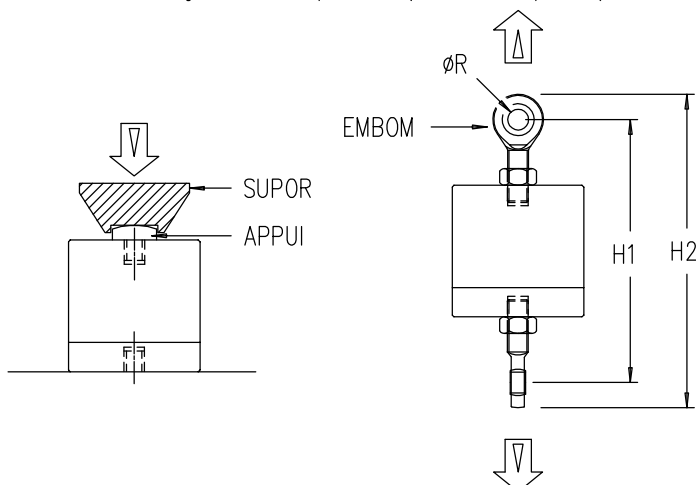


EN 10002

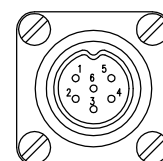


MODEL	CAPACITIES	∅A	H	D	H1	H2	M	∅R	Weight	Max.Deflexion
5062	100 - 2000 N *	70	75	12	134	163	M8	8	0.5 kg	0.2 - 0.5 mm
	3000 -5000 N *				157	191	M12	12		0.2 - 0.35 mm
5065	7.5 -10 kN *	70	100	20	170	216	M16	17	2.1 kg	0.25 - 0.35 mm
	15 -20 kN *	90							3.2 kg	0.40 mm
	30 -50 kN		150	32	242	295	M20x1.5	20	5.3 kg	0.60 mm

\* With integrated overload protection (tension & compression) to 500%



FEMALE-MALE CONNECTOR DIN 45322



CONTACT N°  
 1 Excitation - Yellow  
 2 Signal + Green  
 3 Signal - White  
 4 Excitation + Brown  
 5 Sense - Grey  
 6 Sense + Pink

Standard : Cable screen not connected to transducer  
 Option f : Cable screen connected to transducer